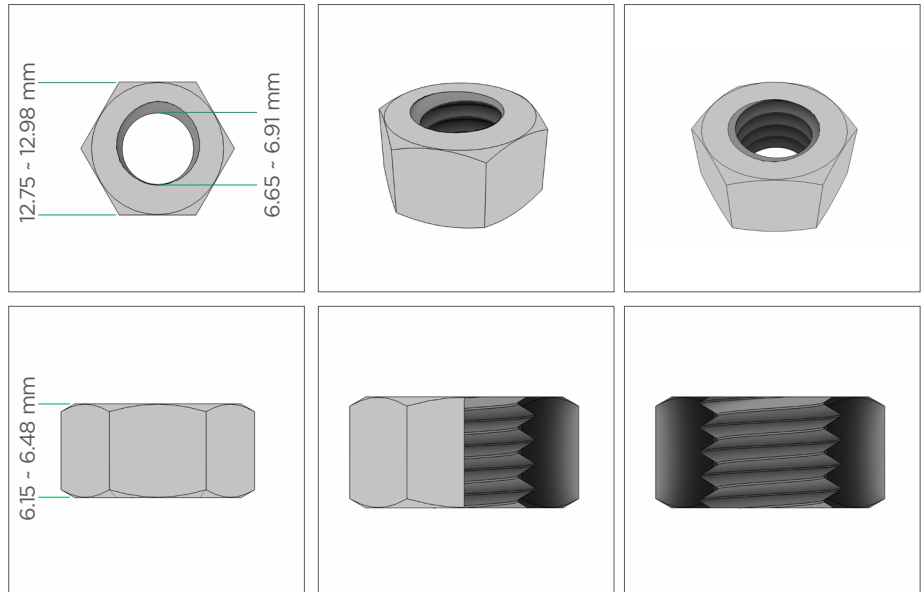


USG BORAL 8MM HEX NUT

PRODUCT CATEGORIES

The 8mm Hex Nut is a strong fastener in various applications made of hot dipped galvanized steel (HDG). The accessory is an excellent choice for all USG ME metal framings.



DIMENSION

Item	Dimension (mm)
Inner Diameter	6.65 - 6.91
Width Across Flats	12.75 - 12.98
Width Across Corners	14.41 min
Height	6.15 - 6.48

MACHANICAL PROPERTIES

Item	Specification
Proof Load Stress (Mpa/Ksi)	600 Mpa
Hardness (HR/HV)	Max 302 HV5

MATERIALS

- Low carbon steel
- Hot dipped galvanized steel (HDG)

SPECIFICATION

- Appearance: ISO 6157-2
- Coating: ISO 4042
- Gauge: ISO 965

RELATED PRODUCT

Flat (HDG) Washer

