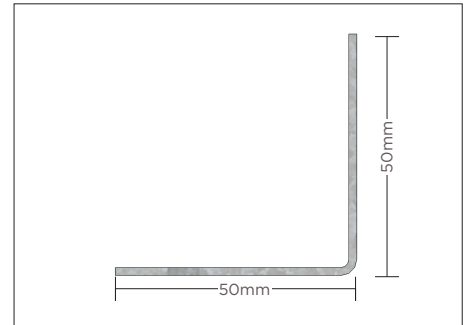
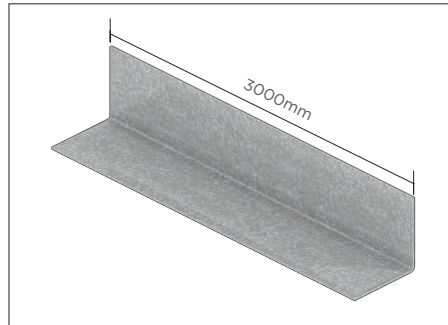


# USG BORAL L Angle

## PRODUCT CATEGORIES

- 50 X 50 X 3000mm
- 1.2 mm thick
- Used in combination with stud allowing for straight wall cladding



## RAW MATERIALS

- Galvanized steel G90
- HDG Steel in 1.2mm Base Material Thickness.

## GREEN BENEFITS AND RECYCLED CONTENT

LEED Credit MR 2 - USG Boral products are manufactured from cold-formed steel. Steel is %100 recyclable, which helps divert debris from the waste stream.

LEED Credit MR 4 - USG Boral steel products have a minimum of %25.5 post-consumer recycled content, and %6.8 pre-consumer.