

# USG BORAL DRYWALL FLAT STRIPS (WALL BRACING)

## PRODUCT CATEGORIES: FLAT STEEL STRIP IN ROLL

- Used in framing applications as wall bracing which provides significant resistance to lateral loads
- Used as X - Bracing in wall assembly to resist racking and comply with seismic requirements
- System applies for walls height above 3.5m

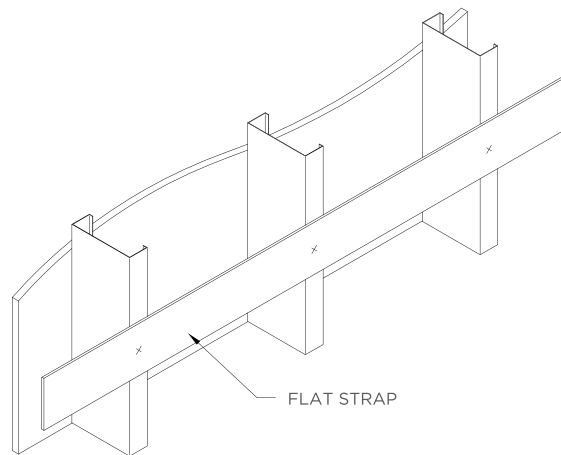
## DIMENSIONS

Thickness Range: 0.60, 0.70, 0.90, 1.2 and 1.5 mm

Width Range: 58 mm

Length: Coming in Roll of around 100KGS, Length could be cut as per requirements.

### Flat Strap



## RAW MATERIALS

HDG Galvanized G90 Zinc coating weight

## STEEL GRADE

Yield stress,  $F_y$  33 ksi Ultimate

## ASTM & CODE STANDARDS

- USG Boral Flat straps are produced to meet or exceed ASTM C645 and C955
- Galvanized sheet steel meets or exceeds requirements of ASTM A-653
- For installation & storage information refer to ASTM C1007 & C754

## GREEN BENEFITS AND RECYCLED CONTENT

LEED Credit MR 2 - USG Boral products are manufactured from cold-formed steel. Steel is 100% recyclable, which helps divert debris from the waste stream.

LEED Credit MR 4 - USG Boral steel products have a minimum of 25.5% post-consumer recycled content, and 6.8% pre-consumer.