

USG BILLO™ 3-DIMENSIONAL PANELS

USG Billo™ 3-Dimensional Panels,
White Translucent and White
Opaque/USG Donn® Brand
Centricitee™ DXT™ Acoustical
Suspension System, Flat White

TO ORDER SAMPLES, GO TO USG.COM

WHITES



FEATURES AND BENEFITS

- Three-dimensional curved panels punctuate flat ceiling planes with rhythm and depth.
- 2'x2' preformed polycarbonate panels create myriad patterns with just one simple panel shape.
- Lightweight lay-in panels install into 9/16" narrow-profile USG Donn® Brand suspension systems, allowing full ceiling accessibility.
- Luminous panels may be backlit with fluorescent strip fixtures or integrated with standard lay-in fixtures.

APPLICATIONS

- All interior commercial applications

Weave Pattern

Wave Pattern

USG BILLO™ 3-DIMENSIONAL PANELS

ORDER SAMPLES/LITERATURE
 usg.com | samplitt@usg.com
 fax: 888 874-2348

SEE LEED REPORT TOOL
 for detailed sustainability
 information, as well as the
MOST UP-TO-DATE

TECHNICAL SERVICES
 800 USG.4YOU (874-4968)

TECHNICAL INFORMATION,
 at usgdesignstudio.com

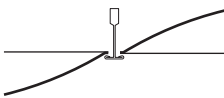
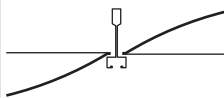
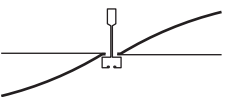
PRODUCT INFORMATION

Materials	Sizes and Weight	Module Size	Code Approval
Panels: Preformed polycarbonate Suspension System: All 2'x2' USG Donn® Brand 9/16" Centricitee™ DXT™ and Finline® DXF™/DXFF™ profiles.	Panels: 2'x2' Weight: 0.25 lbs./sq. ft.	Full 2'x2' modules only	USG Billo™ infill panels meet Class B requirements for flame spread and smoke developed as defined by ASTM E1264, NFPA and IBC (UBC) as tested in accordance with ASTM E84.

FINISHES

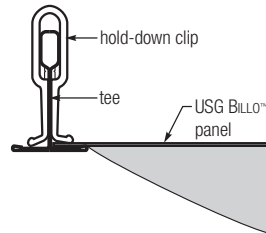
Panel Color	Panel Light Transmission	Suspension System Coordinating Colors
White Translucent	26%	Flat White
White Opaque	8%	Flat White

EDGE DETAILS

USG Billo™ Panels with 9/16" USG Donn® Brand Centricitee™ DXT™ Suspension	USG Billo™ Panels with 9/16" USG Donn® Brand Finline® DXF™ Suspension	USG Billo™ Panels with 9/16" USG Donn® Brand Finline® 1/8 DXFF™ Suspension
		

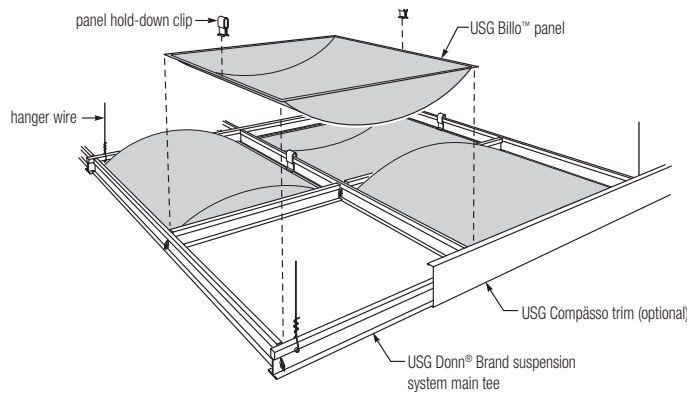
PANEL HOLD-DOWN CLIP

Supplied with 9/16" Down panels



ASSEMBLY

View from Above



FOR MORE INFORMATION

Product literature
 System brochure: IC472
 Data sheet: IC473

Online Tools
 Visit usgdesignstudio.com
 for details and 3-D models.

Recycled content
 Whites: 0% recycled content